

**Type:SDRH8D48A**
**◆ Product Description**

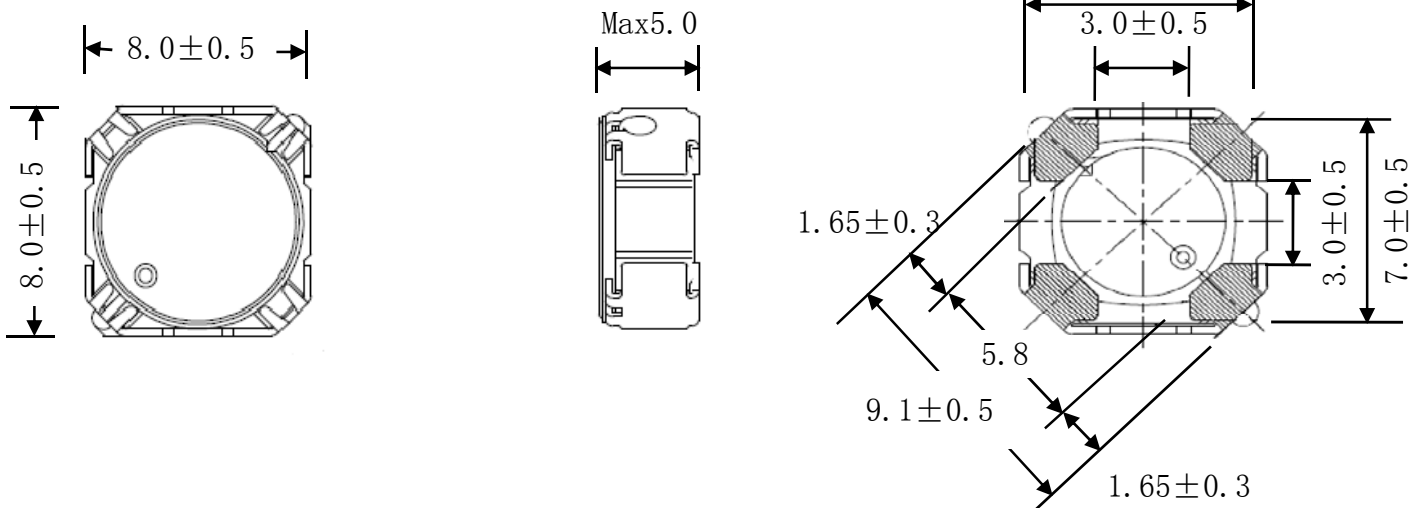
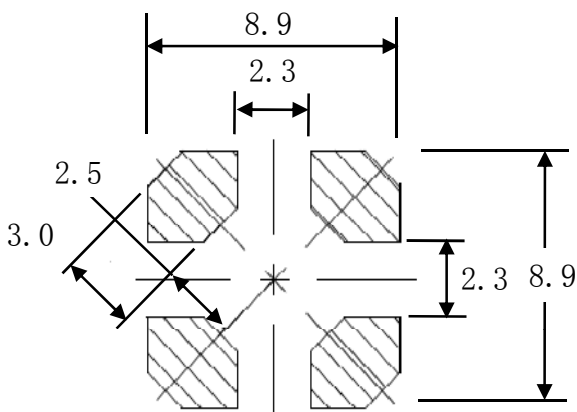
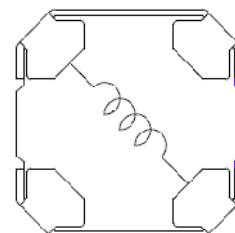
- 8.5×8.5mm Max.(L×W),5.0mm Max. Height.
- Inductance Range: 10~150.0μH
- Rated current range: 0.58~2.26A
- In addition to the standards versions shown here, custom inductors are also available to meet your exact requirements.


**◆ Feature**

- Magnetically shielded construction.
- High reliable inductors,suitable to use in high temperature environment(125 °C)
- Ideally automotive applications as DC-DC Converter inductors.
- Qualification to AEC-Q200
- RoHS Compliance

**◆ Application**

- Automotive applications
- DC/DC converters etc.

**◆ Dimensions (mm)**

**◆ Land Pattern (mm)**

**◆ Schematics(Bottom)**


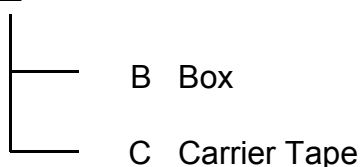
## Type:SDRH8D48A

## ◆ Specification

Suntek Part Number	System code	Stamp	Inductance (μH) 100kHz/1V	D.C.R. (mΩ) Max.(Typ.) (at 20 °C)	Rated Current (A) (at 125 °C)
SDRH8D48A-100M□		100	10.0±20%	38(30)	2.26
SDRH8D48A-120M□		120	12.0±20%	50(40)	1.87
SDRH8D48A-150M□		150	15.0±20%	63(50)	1.62
SDRH8D48A-180M□		180	18.0±20%	75(60)	1.58
SDRH8D48A-220M□		220	22.0±20%	88(70)	1.45
SDRH8D48A-270M□		270	27.0±20%	106(85)	1.33
SDRH8D48A-330M□		330	33.0±20%	125(100)	1.20
SDRH8D48A-390M□		390	39.0±20%	156(125)	1.06
SDRH8D48A-470M□		470	47.0±20%	188(150)	1.00
SDRH8D48A-560M□		560	56.0±20%	238(190)	0.89
SDRH8D48A-680M□		680	68.0±20%	275(220)	0.82
SDRH8D48A-820M□		820	82.0±20%	312(250)	0.73
SDRH8D48A-101M□		101	100.0±20%	394(315)	0.70
SDRH8D48A-121M□		121	120.0±20%	438(350)	0.63
SDRH8D48A-151M□		151	150.0±20%	580(465)	0.58

## ※ Description of part name

SDRH8D48A-100M□



※1.Rated Current: The DC current at which the inductance decreases to 65% of it's nominal value.  
 or when  $\Delta t=30^{\circ}\text{C}$ , whichever is lower( $T_a=125^{\circ}\text{C}$ ).