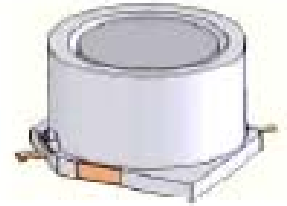


Type:SDRR126
◆ Product Description

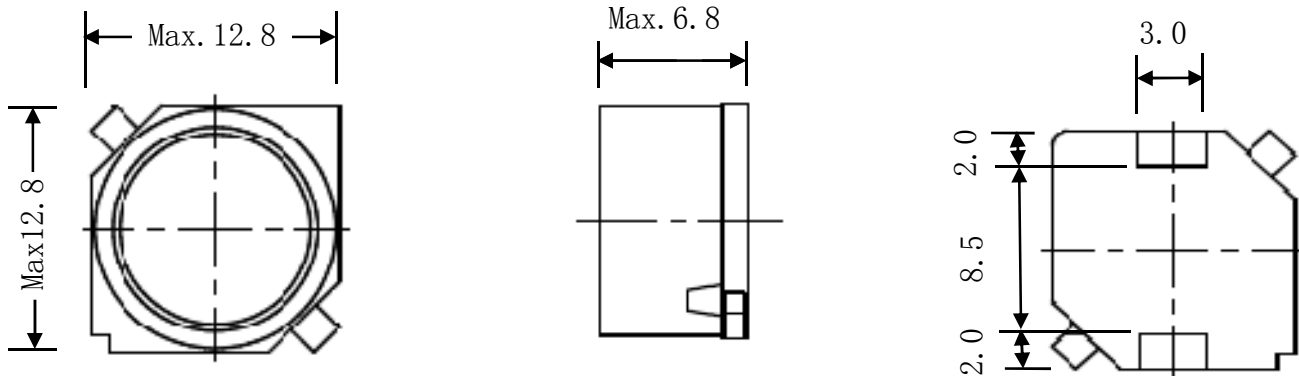
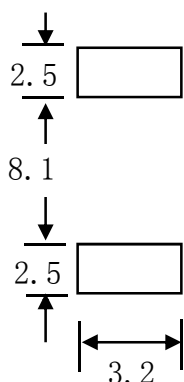
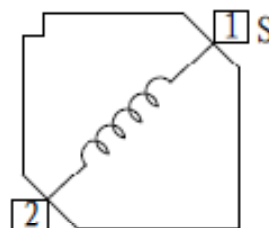
- 12.8×12.8mm Max.(L×W),6.8mm Max. Height.
- Inductance Range: 7.0~330.0μH
- Rated current range: 0.77 ~4.62A
- In addition to the standards versions shown here, custom inductors are also available to meet your exact requirements.


◆ Feature

- Magnetically shielded construction.
- Ideally used in Portable PC, Video Recorder, DSC/DVC, HDD, etc as DC-DC Converter inductors.
- RoHS Compliance and Halogen free

◆ Application

- Portable PC
- Video Recorder
- DSC/DVC
- HDD
- DC/DC converters, etc

◆ Dimensions(mm)

◆ Land Pattern (mm)

◆ Schematics(Bottom)


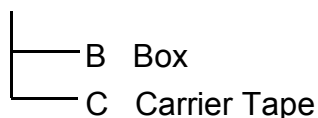
Type:SDRR126

◆ Specification

Suntek Part Number	System code	Stamp	Inductance (μH) 100KHz	D.C.R.(mΩ) Max.(Typ.) (at20°C)	Saturation Current (A)		Temperature Rise Current (A)
					at25°C	(at125°C)	
SDRR126-7R0N□		7R0	7.0±30%	28(22)	5.00(6.25)	2.87(3.59)	4.62(5.30)
SDRR126-100M□		100	10±20%	33(26)	4.30(5.38)	3.32(4.15)	4.18(4.70)
SDRR126-150M□		150	15±20%	38(30)	3.68(4.60)	2.87(3.59)	3.73(4.25)
SDRR126-220M□		220	22±20%	45(36)	3.08(3.85)	2.26(2.82)	3.30(3.80)
SDRR126-330M□		330	33±20%	66(53)	2.28(2.85)	1.76(2.20)	2.65(3.20)
SDRR126-470M□		470	47±20%	80(64)	2.08(2.60)	1.56(1.95)	2.52(2.86)
SDRR126-680M□		680	68±20%	118(95)	1.68(2.10)	1.28(1.60)	2.00(2.30)
SDRR126-101M□		101	100±20%	166(133)	1.36(1.70)	1.03(1.29)	1.60(1.83)
SDRR126-151M□		151	150±20%	234(187)	1.10(1.37)	0.83(1.04)	1.33(1.53)
SDRR126-221M□		221	220±20%	371(297)	0.90(1.12)	0.71(0.89)	1.09(1.22)
SDRR126-331M□		331	330±20%	538(430)	0.77(0.96)	0.61(0.76)	0.88(1.00)

※Description of Part Name

SDRR126-100M□



- 1.Saturation current: The DC current at which the inductance decreases to 90% of its initial value.
- 2.Temperature rise current: The DC current at which the temperature rise is $\Delta t=40^{\circ}\text{C}$.($T_a=20^{\circ}\text{C}$)