

Type:SDR910
◆ Product Description

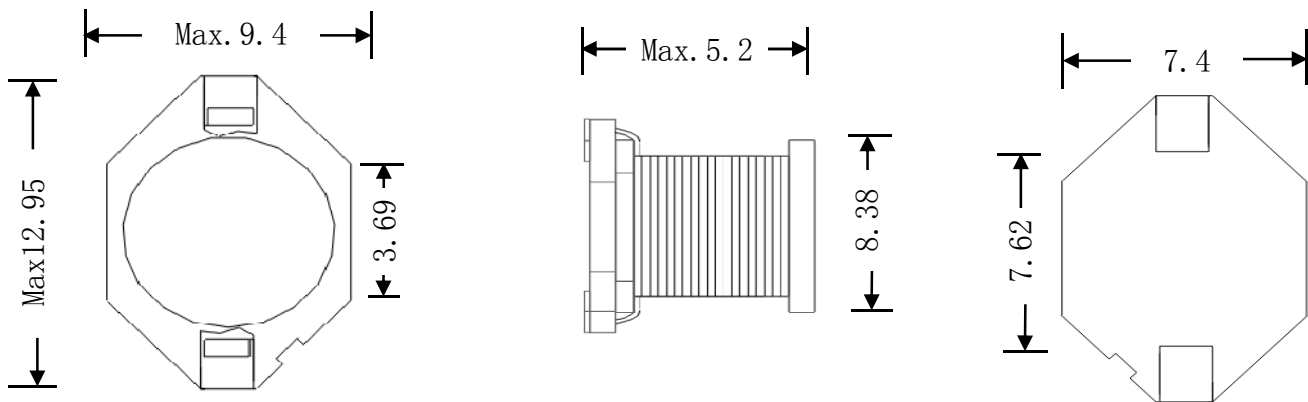
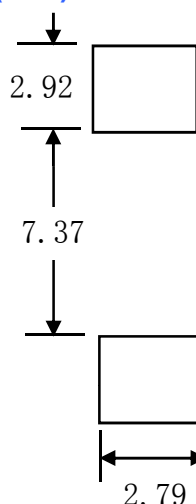
- 12.95×9.4mm Max.(L×W), 11.43mm Max. Height.
- Inductance Range: 18.0μH~1.0mH
- Rated current range: 0.36~2.92A
- In addition to the standards versions shown here, custom inductors are also available to meet your exact requirements.


◆ Feature

- Magnetically unshielded construction.
- Ideally used in Notebook PC, LCD TV, HDD, Game machine, DSC/DVC, etc as DC-DC Converter inductors.
- RoHS Compliance and Halogen free

◆ Application

- Notebook PC
- HDD
- Game machine
- DSC/DVC
- LCD TV
- DC/DC converters, etc

◆ Dimensions(mm)

◆ Land Pattern (mm)


Please refer to the sales offices on our website for a representative near you
www.suntekelec.com

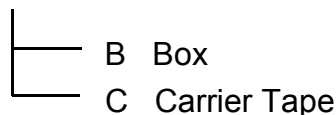
Type:SDR910

◆ Specification

Suntek Part Number	System code	Stamp	Inductance (μH)	D.C.R.(Ω) Max.(Typ.) (at20℃)	Saturation Current (A)	Temperature Rise Current (A)
SDR910-180M□		180	18±20%	49m(39m)	4.80(6.00)	2.92(3.40)
SDR910-220M□		220	22±20%	56m(45m)	4.24 (5.30)	2.88(3.30)
SDR910-330M□		330	33±20%	68m(54m)	3.52(4.40)	2.60(2.95)
SDR910-470M□		470	47±20%	100m(80m)	2.92(3.65)	2.19(2.49)
SDR910-680M□		680	68±20%	0.148(0.118)	2.40(3.00)	1.70 (1.95)
SDR910-101M□		101	100±20%	0.190(0.152)	2.00(2.50)	1.47 (1.67)
SDR910-151M□		151	150±20%	0.296(0.237)	1.60(2.00)	1.17 (1.33)
SDR910-221M□		221	220±20%	0.435(0.348)	1.34(1.68)	0.93 (1.02)
SDR910-331M□		331	330±20%	0.681(0.545)	1.10(1.38)	0.80 (0.90)
SDR910-471M□		471	470±20%	0.843(0.674)	0.94(1.18)	0.70 (0.80)
SDR910-681M□		681	680±20%	1.26(1.05)	0.82(1.02)	0.50 (0.58)
SDR910-102M□		102	1000±20%	1.84(1.53)	0.60(0.76)	0.36 (0.42)

※Description of Part Name

SDR910-180M□



- 1.Saturation current: The DC current at which the inductance decreases to 90% of its initial value.
- 2.Temperature rise current: The DC current at which the temperature rise is $\Delta t=40^{\circ}\text{C}$.($T_a=20^{\circ}\text{C}$)