

Type:MLFH 2012

◆ Product Description

- 2.15×1.35mm Max.(L×W), 1.05mm Max. Height.
- Centre Frequency :1925.0 MHz
- In addition to the standards versions shown here, custom inductors are also available to meet your exact requirements.

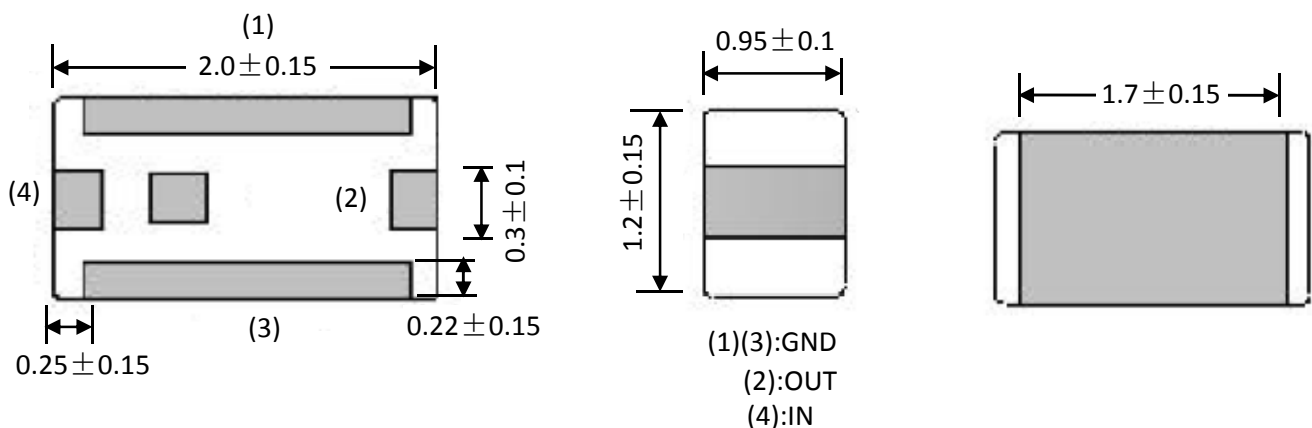
◆ Feature

- Small size, light weight
- Low insertion loss
- Inside shielding
- SMD Chip Balun based on LTCC technology
- Centre frequencies and responses are ready for customization

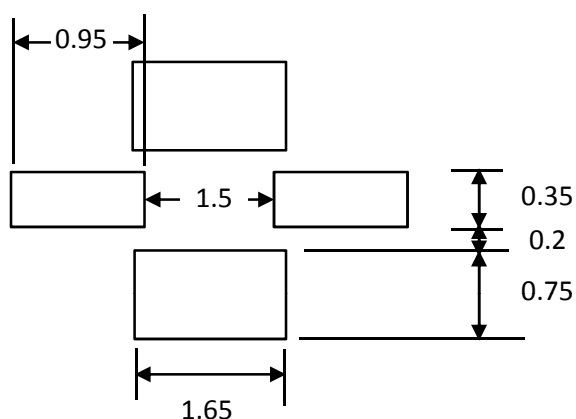
◆ Application

- Cellular telephones
- Cordless telephones Transceivers, CATV
- Bluetooth ,Wireless LAN,GPS,etc.

◆ Dimensions (mm)



◆ Land Pattern (mm)



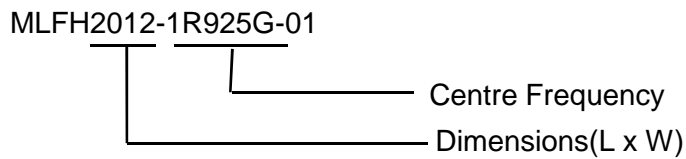
Please refer to the sales offices on our website for a representative near you
www.suntekelec.com

Type:MLFH 2012

◆ Specification

Suntek Part Number	System Code	Centre Frequency (MHz) f_0	Bandwidth (MHz)	Max.IL in BW (@25 °C)(dB)	Attenuation(dB)	Thickness (mm)
MLFH2012-1R925G-01		1925.0	$f_0 \pm 275.5$	2.20	25dB Min. at 900~1450MHz	0.95±0.10

※Description of Part Name



Note:

1. Operating Temperature is -40°C~+85°C.