

## Type:MLDA 3216

### ◆ Product Description

- 3.4×1.8mm Max.(L×W), 1.4mm Max. Height.
- Impedance:50.0 Ω
- In addition to the standards versions shown here, custom inductors are also available to meet your exact requirements.

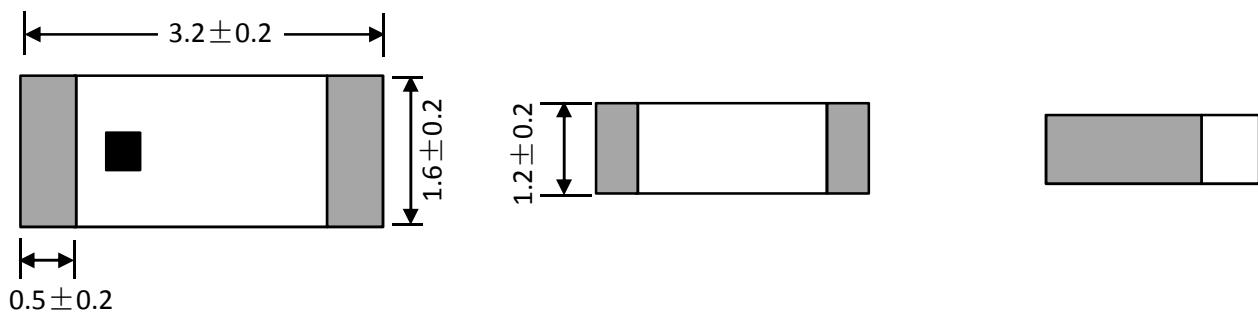
### ◆ Feature

- Light weight, Compact
- Wide bandwidth ,Low cost
- Built-in antenna with high gain
- For applications of ISM Band 2.4 GHz, Mobile TV

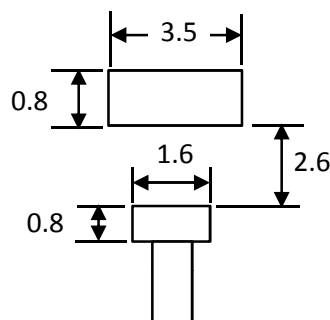
### ◆ Application

- Bluetooth ,Wireless LAN, Mobile TV
- Home RF system, etc

### ◆ Dimensions (mm)

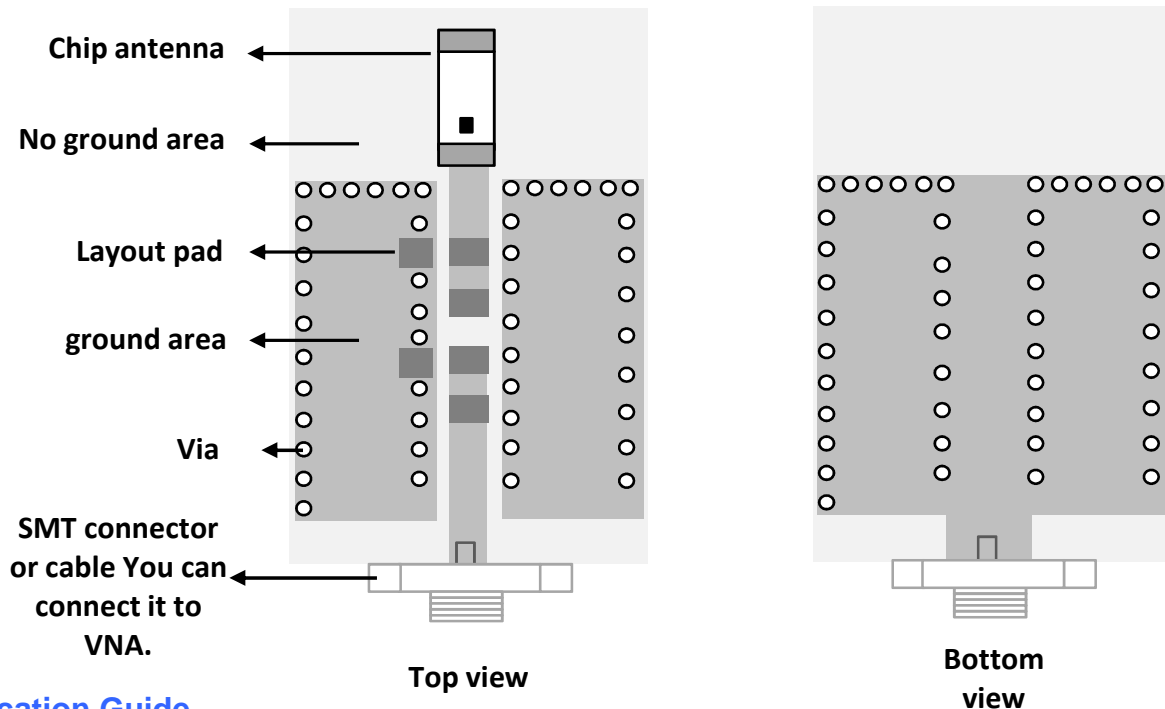


### ◆ Land Pattern (mm)

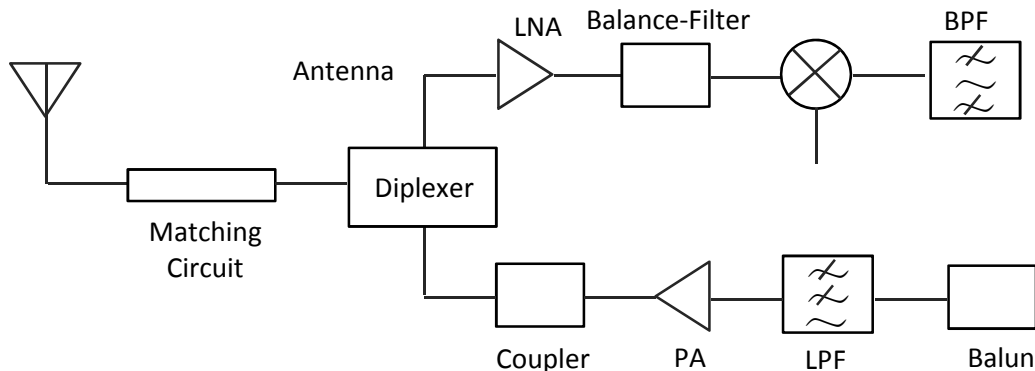


## Type:MLDA 3216

### ◆ Evaluation board



### ◆ Application Guide



### ◆ Specification

Suntek Part Number	System Code	Bandwidth (MHz)	Peak Gain(V-XZ)	Average Gain(V-XZ)	VSWR (In BW)	Impedance ( $\Omega$ )	Power Capacity (W)
MLDA3216-2R800G-S1		$\geq 100$	0.5dBi typ.	-1dBi typ.	<2	50	3
MLDA3216-2R870G-S1		$\geq 100$	0.5dBi typ.	-1dBi typ.	<2	50	

### ※ Description of Part Name



Note:

1. Operating Temperature is  $-40^{\circ}\text{C} \sim +85^{\circ}\text{C}$ .

Please refer to the sales offices on our website for a representative near you  
[www.suntekelec.com](http://www.suntekelec.com)