



## Type:SMVA-FL2082

### ◆ Product Description

- 2.15×1.35 mm Max.(L×W),0.95 mm Max. Height.
- Typical Capacitance: 15.0 pF
- In addition to the standards versions shown here, custom inductors are also available to meet your exact requirements.

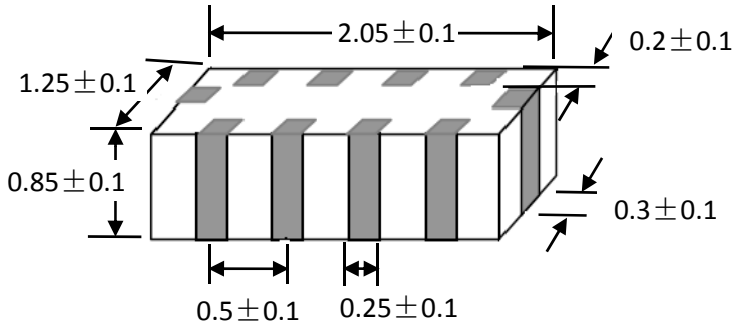
### ◆ Feature

- L-C composite circuit structure ,availing transient voltage protection and EMI suppression in 4 lines b one chip
- Excellent clamping ratio and quick response time (<0.5ns)

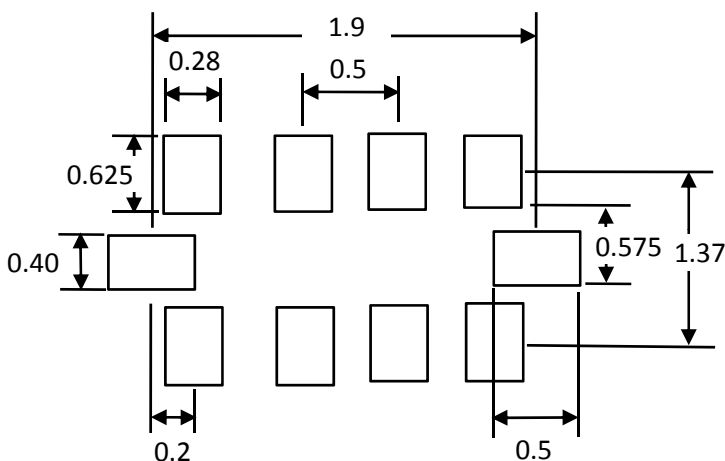
### ◆ Application

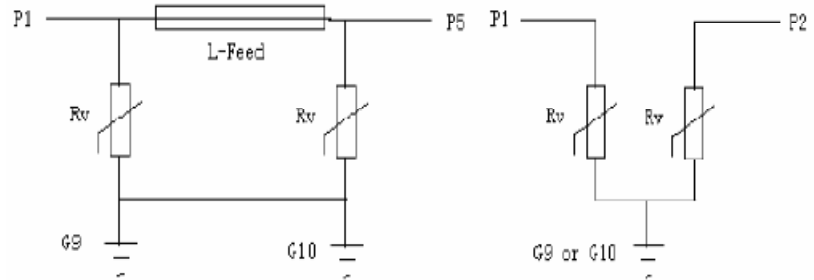
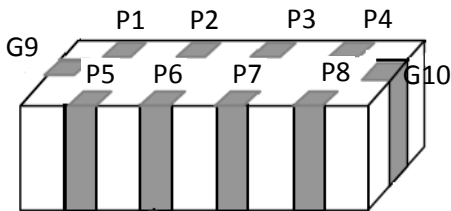
- LCD module and I/O line Transient voltage protection or ESD protection,such as mobile Phone ,PDA, LCD TV, etc

### ◆ Dimensions (mm)



### ◆ Land Pattern (mm)

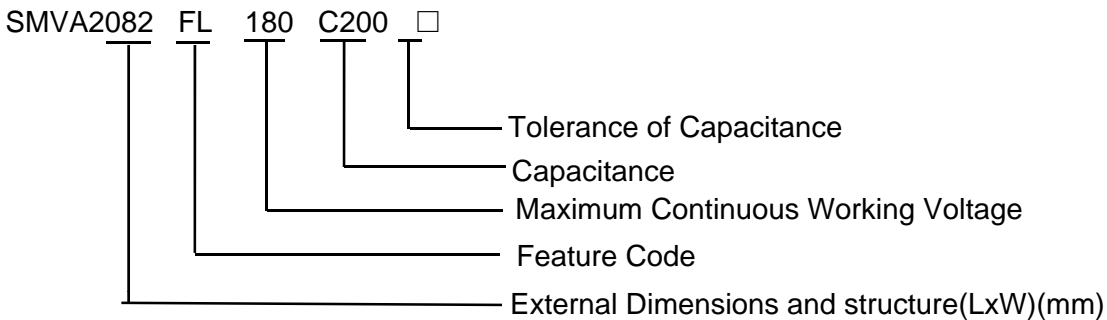


**Type:SMVA-FL 2082**
**◆ Equivalent circuit**


P1,P2,P3,P4:In(P5,P6,P7,P8:Out(in)  
 G9,G10: Ground

**◆ Specification**

Suntek Part Number	System Code	Max.Working Voltage		Varistor Voltage @1mA DC	Max.Clampi ng Voltage		Rated Single Pulse Transient Peak Current 8/20	Cut-off Frequency	Typical Capacitance @0.5Vrms, 1MHz
		<20 μ A DC	AC		8/20μs	ESD			
SMVA2082FL180C150□		18	12.7	22~28	40	48	2	100	15

**※Description of Part Name**


Note:

1. Operating Temperature is -55°C~+125°C.
2. Vc,Maximum peak voltage across the varistor measured at 1A 8/20 μ s impulse current.
3. Vc,Maximum peak voltage across the varistor measured at 30ns after initiation of pulse on IEC61000-4-2 30A/i
4. Ip,Maximum peak current applied at 8/20 μ s surge impulse current without varistor failure.
5. □:Please specify the capacitance tolerance code (N=±30%,Y=+100%~-50%,G=Maximum)