

Type:SARZ2010

◆ Product Description

- 2.15×1.15mm Max.(L×W),0.6mm Max. Height.
- DCR Range: 0.05~0.80Ω
- In addition to the standards versions shown here, custom inductors are also available to meet your exact requirements.

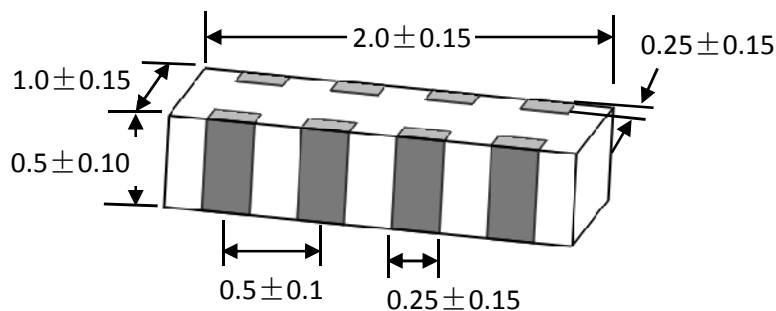
◆ Feature

- . Availing EMI suppressing in 4 lines by one chip
- . Highly effective in designing a higher density circuit
- . Crosstalks between adjacent circuits are minimized

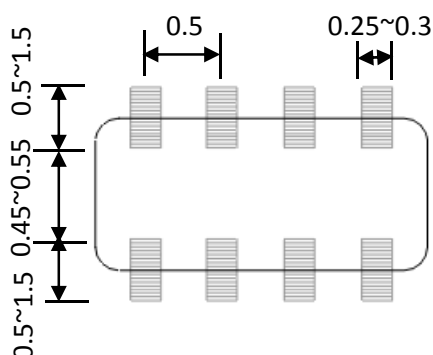
◆ Application

- . High frequency noise suppression in electric equipments such as computer and peripheral devices, DVD,cameras,LCD TVs, communication equipments ,OA equipments, and etc

◆ Dimensions (mm)



◆ Land Pattern (mm)

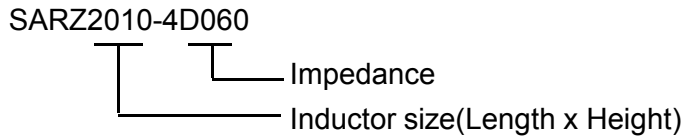


Type:SARZ2010

◆ Specification

| Suntek Part Number | System Code | Impedance (Ω) | Freq.MHz | DCR (Ω) Max. | Ir (mA) Max. | Thickness (mm) |
|--------------------|-------------|------------------------|----------|-----------------------|--------------|----------------|
| SARZ2010-4D060 | | 0~15 | 100 | 0.05 | 500 | 0.5±0.10 |
| SARZ2010-4D190 | | 19±25% | 100 | 0.10 | 500 | |
| SARZ2010-4D600 | | 60±25% | 100 | 0.35 | 300 | |
| SARZ2010-4D121 | | 120±25% | 100 | 0.40 | 300 | |
| SARZ2010-4D221 | | 220±25% | 100 | 0.50 | 300 | |
| SARZ2010-4D471 | | 470±25% | 100 | 0.70 | 200 | |
| SARZ2010-4D601 | | 600±25% | 100 | 0.80 | 100 | |

※Description of Part Name



Note:

1. Operating Temperature is -55°C ~ +125°C.