

## Type:SDRH2D09

### ◆ Product Description

- 3.2×3.2mm Max.(L×W),1.0mm Max. Height.
- Inductance Range: 1.2~10μH
- Rated current range: 0.28~0.8A
- Custom design is available.



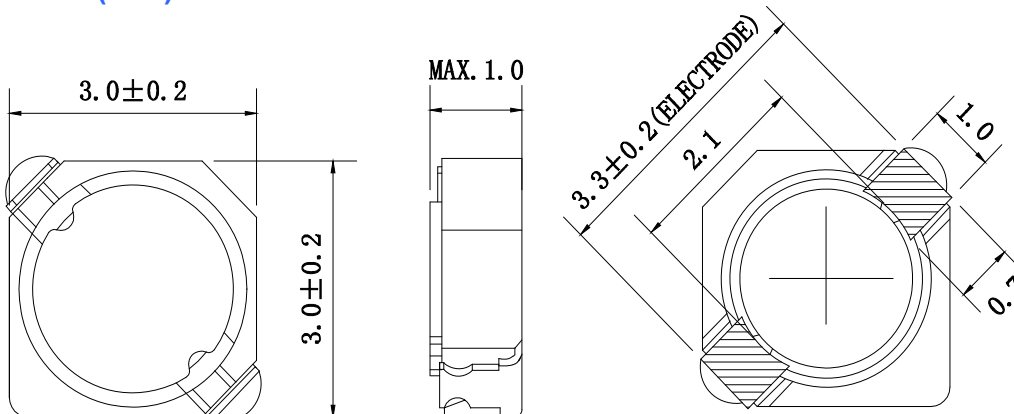
### ◆ Feature

- Magnetically shielded construction.
- Ideally used in Mobilephone,PDA,MP3,DSC/DVC,etc as DC-DC Converter inductors.
- RoHS Compliance and Halogen free.

### ◆ Application

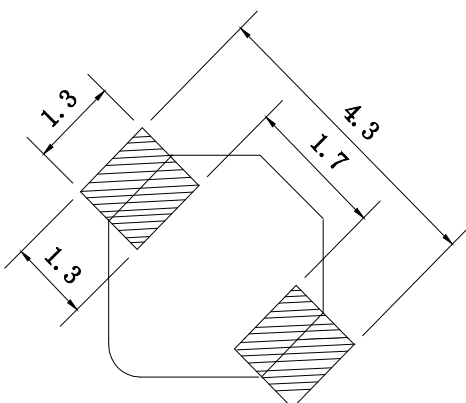
- Mobilephone
- MP3
- PDA
- DSC/DVC
- DC/DC converters, etc.

### ◆ Dimensions (mm)



※1 Not including terminal dimension

### ◆ Land Pattern (mm)

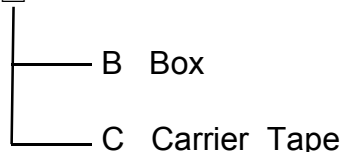


**Type:SDRH2D09**
**◆ Specification**

Suntek Part Number	System code	Stamp	Inductance ( $\mu\text{H}$ ) 100kHz/1V	D.C.R. (m $\Omega$ ) (20 $^{\circ}\text{C}$ )	Saturation Current(mA)		Temperature rise current (mA)
					at20 $^{\circ}\text{C}$	at 100 $^{\circ}\text{C}$	
SDRH2D09-1R2M□		A	1.2 $\pm$ 25%	70 $\pm$ 25%	800	590	1240
SDRH2D09-1R5M□		B	1.5 $\pm$ 25%	78 $\pm$ 25%	730	520	1150
SDRH2D09-1R8M□		C	1.8 $\pm$ 25%	98 $\pm$ 25%	650	480	1060
SDRH2D09-2R2M□		D	2.2 $\pm$ 25%	120 $\pm$ 25%	600	440	1050
SDRH2D09-2R5M□		E	2.5 $\pm$ 25%	135 $\pm$ 25%	530	400	980
SDRH2D09-3R0M□		F	3.0 $\pm$ 25%	150 $\pm$ 25%	470	360	840
SDRH2D09-3R9M□		G	3.9 $\pm$ 25%	205 $\pm$ 25%	410	330	720
SDRH2D09-4R7M□		H	4.7 $\pm$ 25%	220 $\pm$ 25%	450	300	640
SDRH2D09-5R6M□		J	5.6 $\pm$ 25%	320 $\pm$ 25%	410	270	590
SDRH2D09-6R8M□		K	6.8 $\pm$ 25%	340 $\pm$ 25%	370	240	530
SDRH2D09-8R2M□		L	8.2 $\pm$ 25%	390 $\pm$ 25%	330	220	460
SDRH2D09-100M□		M	10 $\pm$ 25%	450 $\pm$ 25%	280	200	420

**※ Description of part name**

SDRH2D09-1R2M□



※1.Saturation Current: The DC current at which the inductance decreases to 65% of it's nominal value.

 ※2.Temperature rise current:The DC current at which the temperature rise is  $\Delta t=40^{\circ}\text{C}$ .( $T_a=20^{\circ}\text{C}$ ).