

Type:SHCK1010FL

◆ Product Description

- 11.0×11.0mm Max.(L×W), 10.0mm Max. Height.
- Inductance Range: 0.25~330.0 μH
- In addition to the standards versions shown here,
- custom inductors are also available to meet your exact requirements.

◆ Feature

- Big current ,Without noise ,Low DCR
- Footprint compatible with most standard
- Lower temperature rise at big current

◆ Application

- PC computer mainboard
- DC/DC converters and VGA display.
- Servers,Scanners,DVDs

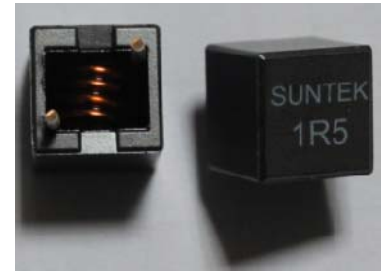
◆ Dimensions (mm)


Fig1.

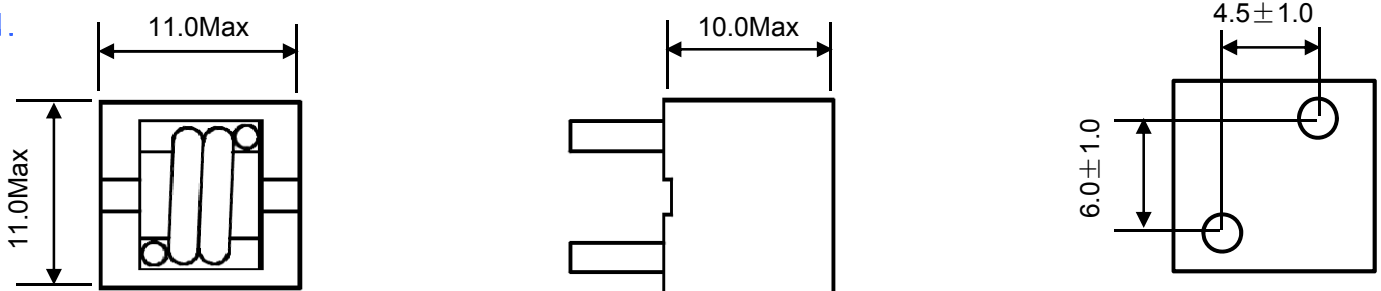
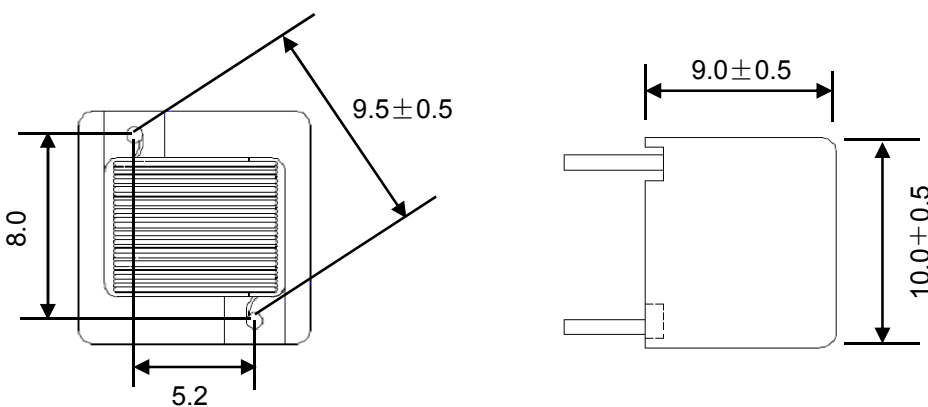
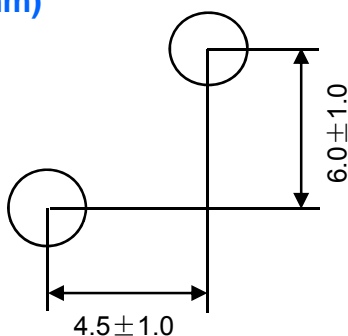


Fig2.

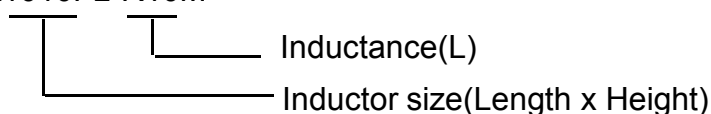

◆ Land Pattern (mm)


Type:SHCK1010FL
◆ Specification

Suntek Part Number	System code	Inductance (μH)±20%	DC Resistance (mΩ)Max.	Saturation Rated Current (A)	Temperature Rise Rated Current (A)	Fig No.
SHCK1010FL-R25M		0.25	0.73	65	40	1
SHCK1010FL-R50M		0.50	1.1	48	32	1
SHCK1010FL-R60M		0.60	1.2	45	31.5	1
SHCK1010FL-R80M		0.80	1.6	40	33	1
SHCK1010FL-1R0M		1.00	2.5	40	32	1
SHCK1010FL-1R2M		1.20	2.5	36	30	1
SHCK1010FL-1R5M		1.50	3.8	36	30	1
SHCK1010FL-1R8M		1.80	4	30	26	1
SHCK1010FL-2R2M		2.20	4.15	18	15	1
SHCK1010FL-3R3M		3.30	8	15	13	1
SHCK1010FL-4R7M		4.70	9.2	12	10	1
SHCK1010FL-5R6M		5.60	10.5	11	9	1
SHCK1010FL-6R8M		6.80	14.8	10	8	1/2
SHCK1010FL-100M		10	22	10	8	1/2
SHCK1010FL-220M		22	36	8.5	6	1/2
SHCK1010FL-330M		33	65	7	5.5	1/2
SHCK1010FL-470M		47	82	6	5	1/2
SHCK1010FL-680M		68	95	5.4	4.5	1/2
SHCK1010FL-820M		82	125	5.4	4	1/2
SHCK1010FL-101M		100	155	4.8	3.5	1/2
SHCK1010FL-151M		150	251	4.5	3.1	1/2
SHCK1010FL-201M		200	290	3.5	2.4	1/2
SHCK1010FL-331M		330	356	2.8	1.8	1/2

※Description of Part Name

SHCK1010FL-R10M



Note:

1. Saturation Rated Current: The current when the inductance becomes 35% lower than its nominal value.(Ta=20°C)
2. Temperature Rise Current: The actual current when temperature of coil becomes ΔT=40°C.(Ta=20°C)
3. Inductance tested at 100KHz/1.0Vrms.

Please refer to the sales offices on our website for a representative near you

www.suntekelec.com